

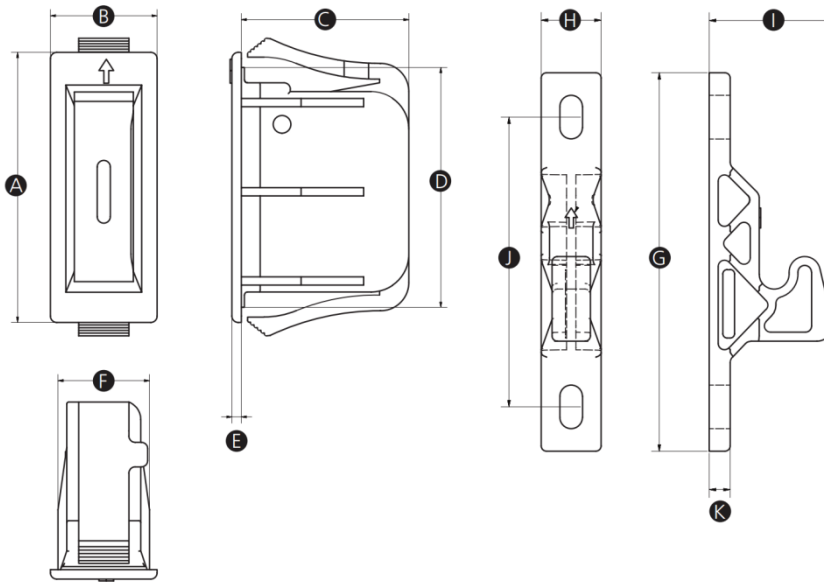
## G02PL Push-to-Close Grabber Door Catch (Snap-In)

### Features

- Push-to-close, pull-to-open latch with spring loaded over centre action
- Snap-in installation to door or frame

### Material

- ABS polycarbonate, mineral filled nylon



Part No.	A	B	C	D	E	F	G	H	I	J	K	Bore Size	Pull Force
G02PL-16057U	43	17	27	38	1.5	14.5	72	11.4	23.5	55	4	4.3x8.3	44 N